

FOXPRO®

AMERICAN MADE GAME CALLS



TURKEY PRO

INSTRUCTION MANUAL

FOXPRO Inc. • 14 Fox Hollow Drive • Lewistown, PA 17044 • (717)-248-2507

WWW.GOFOXPRO.COM

Important Information

FOXPRO®'s goal is to provide our customers with the highest quality products in the industry. We take great pride in manufacturing our products in the USA. Please do not hesitate to contact us for assistance, comments, or questions.

FOXPRO® Inc. 14 Fox Hollow Drive -Lewistown, PA 17044

Hours of Operation

Monday – Friday
8AM – 5PM EST

Service & Support: 717-248-2507

Toll Free Orders Only: 866-463-6977

General Inquiry E-mail: sales@gofoxpro.com

Technical Support: techsupport@gofoxpro.com

Stay up to date with the latest sounds, products, and videos on:

Facebook: <https://www.facebook.com/Foxpro.Furtakers>

YouTube: @FOXPROINC

Instagram: @foxpro_inc

Twitter: @FOXPROInc

TikTok: @foxpro_inc

Website: www.gofoxpro.com



This manual, the animal sounds stored in your caller, and animal sounds purchased from FOXPRO® Inc. for installation in your caller is protected by copyright.

Publication Date: September 19, 2023, REV2

Copyright ©© 2023 by FOXPRO® Inc.

Table of Contents

1.	Getting Started.....	5
1-1	TurkeyPro Overview.....	5
1-2	TX433 Transmitter Overview.....	6
2.	Quick Start Guide.....	7
2-1	TurkeyPro Requirements.....	7
2-2	TX433 Requirements.....	8
2-3	Playing Sounds.....	8
2-4	Favorites.....	10
3.	Auxiliary Jack Function.....	11
4.	Using an External Speaker.....	11
5.	Batteries and Charging.....	12
6.	TX433 Transmitter Detailed Information.....	14
6-1	Primary Display Area.....	14
6-2	Main Menu.....	15
6-3	Sound Settings: Volume Step.....	15
6-4	Sound Settings: Play Mode.....	15
6-5	Sound Settings: Fav Mute OR.....	16
6-6	Display/Power: Backlight.....	16
6-7	Display/Power: Bklt T.O.....	16
6-8	Display/Power: Contrast.....	16
6-9	Display/Power: LCD Mode.....	17
6-10	Display/Power: LCD Mode.....	17
6-11	Timer/User: Stand Tmr.....	17
6-12	Timer/User: Alarm.....	17
6-13	Timer/User: USER 1 & USER 2.....	18

6-14 Remote Settings: Download List	18
6-15 Remote Settings: Channel.....	18
6-16 Remote Settings: AUX Cntrl	19
6-17 Remote Settings: View	19
6-18 Remote Settings: Snd Nums.....	20
6-19 Remote Settings: About Info.....	20
6-19 Remote Settings: Cable Detect	20
7. Field Deployment Options	20
8. Programming the TurkeyPro.....	23
9. Maximizing Remote Range	23
10. Product Care & Maintenance.....	24
11. Troubleshooting.....	25
12. FCC & IC Information.....	26
13. Warranty Statement	28

1. Getting Started

Congratulations on your purchase of the FOXPRO TurkeyPro digital game call! To avoid personal injury and product damage, be sure to read all operating instructions before using the FOXPRO TurkeyPro.

1-1 TurkeyPro Overview

The following image features the TurkeyPro game call. Certain aspects of the TurkeyPro are marked with a number that corresponds to the list below defining that element.

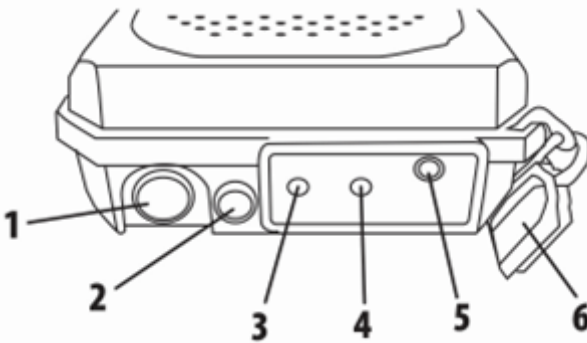


Figure 1 TurkeyPro

1. The power switch is located to the far left on the side of the TurkeyPro.
2. The pilot LED is located to the right of the power switch.
3. The auxiliary device jack is located to the right of the pilot LED.
4. The external speaker jack is located to the right of the auxiliary device jack.
5. The charge jack is located to the right of the external speaker jack.
6. The lanyard is located on the far right on the side of the TurkeyPro.

1-2 TX433 Transmitter Overview

The following is an image of the TX433 transmitter. Certain aspects of the TX433 are marked with a number that corresponds to a list, located after the image, defining each element.

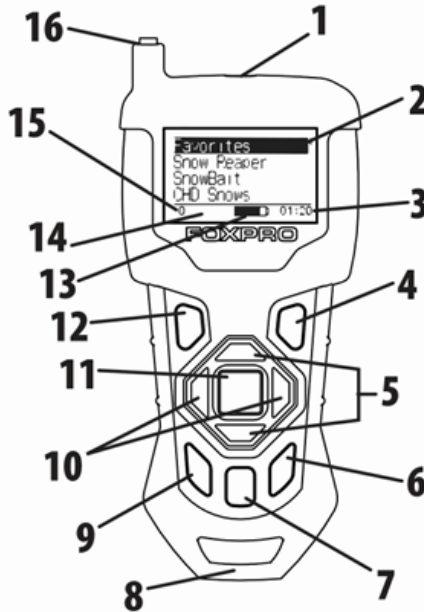


Figure 2 TX433 Remote Control

1. The sound list upload jack is located on the top center of the TX433.
2. The screen consumes the largest upper portion of the TX433.
3. In the lower-right corner of the screen is the elapsed stand timer.
4. On the lower keypad portion of the TX433, the Back/Menu button is to the upper right.
5. In the center of the TX433 is a large button. Directly above and below this button are the Scroll Up and Scroll down buttons.
6. The User 2 button is located on the bottom right.

7. The Mute button is located to the left of the User 2 button.
8. The lanyard loop is located on the bottom of the TX433.
9. The User 1 button is located to the left of the Mute button.
10. The Volume Up and Volume Down buttons are located to the left and right of the large button in the middle.
11. The Play/Select button is the largest button in the middle of the TX433.
12. The Power button is located on the upper left of the keypad.
13. The Battery Level Indicator is located to the left of the elapsed timer on the screen.
14. The Mute Status Indicator is located to the left of the Battery Level Indicator.
15. The Volume Level Indicator is located to the left of the Mute Status Indicator.
16. The antenna is located on the top left of the TX433.

2. Quick Start Guide

The Quick Start Guide gives you a quick rundown on how to get your TurkeyPro up and running right away.

2-1 TurkeyPro Requirements

The TurkeyPro ships from the factory without batteries installed. The TurkeyPro requires 8 'AA' batteries. We recommend the use of lithium, rechargeable NiMH, or high-quality alkaline batteries for the best performance. If you plan on operating the TurkeyPro in cold conditions (under 32°F/0°C), use lithium batteries for the best run times. Alkaline batteries do not hold up nearly as well in colder temperatures.

Installing Batteries in the TurkeyPro

1. Open the battery compartment on the back side of the TurkeyPro. You might need to use a coin or a flathead screwdriver to loosen and remove the knurled thumbscrews.

2. Locate and remove the plastic battery holder from the battery compartment. The battery holder features a white connector that plugs into two pins inside the battery compartment.
3. Place the 'AA' batteries into each battery cavity of the battery holder while observing correct polarity as indicated. Remember: the battery holder is double-sided, and each side accepts 4 'AA' batteries.
4. If you unplugged the battery holder plug it back in.
5. Verify the DIP switch is set to the appropriate battery chemistry by inspecting switch 3 on the DIP switch (see Section 6-15). This switch is responsible for setting battery chemistry type. The switch has two positions: ON and OFF. For alkaline and lithium batteries, place the switch in the OFF position. For rechargeable NiMH batteries, move the switch to the ON position.
6. Place the battery holder back into the battery compartment and replace the battery compartment door.
7. To verify that you have power: Push the orange power button on the bottom of the TurkeyPro. The pilot LED should illuminate green, indicating that the TurkeyPro is powered on. If the LED does not illuminate, verify that your batteries are fresh and double-check the connections. The LED may flicker for a period before glowing solid when the TurkeyPro is initially powered on, this is normal. If the LED begins blinking during operation, it indicates the batteries are low and need replaced.

2-2 TX433 Requirements

The TX433 remote control operates on a single 9V battery. It is recommended that you use a high-quality lithium or alkaline battery for the best performance.

2-3 Playing Sounds

The primary function of your TurkeyPro game call is to produce sounds to attract wildlife. This section explains how to turn on the TurkeyPro

and the TX433 and how to start playing sounds. THE TX433 IS NOT INTENDED TO OPERATE THE CALLER AT DISTANCES SHORTER THAN 1 METER (3 FEET). IF THE TRANSMITTER IS LOCATED TOO CLOSE TO THE CALLER, PROPER OPERATION CANNOT BE ENSURED.

1. Turn on the TurkeyPro by pushing in the power button a single time. When powered on, the TurkeyPro pilot light illuminates green, indicating that it is powered on. If the light does not activate, replace your batteries, and try again.
2. By default, the TurkeyPro internal cone speaker is turned on and the external speaker jack is turned off. Note that you can only operate the internal speaker or an external speaker individually, not both simultaneously. A DIP switch, located inside of the battery compartment, controls the audio path and whether audio is directed to the internal speaker or external speaker jack. To ensure that audio is produced through the internal speaker only, make sure that switch 4 is set to the OFF position. If you wish to use an external speaker, rather than the internal cone speaker, place switch 4 to the ON position. Section 4 of this manual covers the use of external speakers.
3. Turn on the TX433 transmitter by pushing and holding the power button for approximately 1-2 seconds.
4. Notice the black horizontal highlight bar on the TX433 display. The bar moves up and down the screen as you use the “Scroll Up” or “Scroll Down” arrow buttons.
5. Move the highlight bar to one of the sound categories and push the “Select” button. Doing this results in displaying all of the sounds in that particular category. To exit the current category, push the “Back/Menu” button.
6. After moving the highlight bar to the sound you wish to play, push the “Select” button a single time to begin playback. You won’t hear anything at first as the volume level hasn’t been set.
7. **To adjust the volume:** Use the “Volume Up” button to raise the volume level to your desired setting. Use the “Volume Down”

button to decrease the volume level. The transmitter has 20 volume steps.

8. **To silence the sound:** Push the “Mute” button a single time. When muted, the mute status indicator on the TX433 display shows an “M” and the current sound is silenced. Un-muting is accomplished by pushing the “Mute” button a second time (the “M” will no longer be displayed, and the sound will resume playing).
9. **To switch sounds:** Use the scroll buttons to navigate to a different sound and push the “Select” button. You can switch sounds while the TurkeyPro is actively playing a sound or while muted.
10. **To turn off the TX433:** Push and hold the power button for approximately 1-2 seconds. Be aware that turning off the remote control does not end sound playback on the TurkeyPro. When you are finished calling, use the “Mute” button to silence the TurkeyPro prior to turning off the TX433.
11. **To turn off the TurkeyPro:** Push the power button on the bottom of the unit. The pilot LED will extinguish.

2-4 Favorites

The TX433 allows you to establish a list consisting of 10 of your most frequently used sounds under the “Favorites” menu. Each favorite is comprised of a single sound and a single volume level. This section describes the process involved in creating, changing, and using your presets.

To create a favorite, select the “Favorites” menu item on the TX433. If this is your first time working with presets, they will all be blank to start. To set a preset, position the black highlight bar on one of the blank preset slots and push the “Select” button a single time. The first step is selecting the sound you wish to use. Use “Sound Up” or “Sound Down” buttons to navigate through your sound list and locate the desired sound. Once found, push the “Select” button to lock it in. Next, you select the volume level that you wish to use for this favorite. This is

done by using the “Volume Up” or “Volume Down” arrow buttons. After you have found your desired volume level, push the “Select” button to assign the volume level and finish setting up the favorite. You will notice that the slot you assigned this favorite to now displays the sound name and the volume level for reference.

To overwrite an existing favorite, select the “Favorites” menu item on the TX433. Position the highlight bar on the favorite that you wish to change. Push and hold the “Select” button for about 3-4 seconds. The remainder of the process is the same as setting up a new favorite where you select the desired sound and volume level.

To use a favorite, select the “Favorites” menu item on the TX433. Position the highlight bar on the preset that you wish to activate. Push the “Select” button a single time to begin playback. The resulting action is the TurkeyPro playing the selected sound at the preset volume level.

3. Auxiliary Jack Function

The AUX jack is provided primarily for the control of FOXPRO decoys and may be suitable for controlling other similar devices.

4. Using an External Speaker

The TurkeyPro is equipped with an external speaker jack which allows you to connect an additional speaker. By connecting a larger and more efficient external speaker to the TurkeyPro, the volume level can be increased significantly. **Note that the TurkeyPro can be configured to produce audio through the internal speaker only or the external speaker jack only—not both simultaneously.** To use an external speaker with the TurkeyPro, review the following:

1. Remove the battery compartment door from the back side of the TurkeyPro.
2. Locate the DIP switch. Each switch has two positions: ON and OFF. Switch 4 controls the audio path. To direct audio through

the external speaker jack, place switch 4 to the ON position. Note that doing this will result in no audio being produced through the internal speaker.

3. The TurkeyPro external speaker jack accepts a standard 3.5mm plug. Make sure that the speaker you intend to use has an impedance rating of 8Ω .
4. Be sure the TurkeyPro is turned off prior to connecting the external speaker.
5. Plug the connector of the external speaker into the external speaker jack on the bottom of the TurkeyPro.
6. Proceed with operation.
7. To change the audio path back to the internal speaker, place switch 4 to the OFF position.

5. Batteries and Charging

The TurkeyPro operates on 8 'AA' batteries. For optimal performance and run times, we recommend using high capacity (2300mAh or higher) NiMH (nickel metal hydride) rechargeable batteries rather than alkaline types. When you operate the TurkeyPro at extremely loud volume levels, the current demand on the batteries is much more than alkaline cells can deliver. Consequently, the running time of these batteries can be very short.

Your FOXPRO® unit incorporates circuitry to terminate charge current if high battery temperatures are detected. Battery temperatures increase at the end of the charge cycle. If the temperature edges towards a dangerous level, the charge current will be interrupted, and the green LED will extinguish. If excessive temperature is not detected, the green LED will not be extinguished. It is quite possible for the batteries to be fully charged without their temperature rising to a dangerous level. For this reason, **the LED should not be considered as a "full charge" indicator** as it may or may not extinguish when the batteries are fully charged. The batteries are fully charged any time their temperature

rises substantially above ambient. How long this takes depends on how much charge has been taken from the batteries and how much time has passed since the last charge. If the green LED goes out, the batteries are charged. If the green LED is on and the batteries are cool, they are still charging. If the green LED is on and the batteries are very warm, they are fully charged, and you should terminate the charge by unplugging the charger.

You should not permit the charge to continue for more than 10 hours under any circumstances! The batteries need to be recharged when the “Low Battery” LED is blinking. Battery run time is directly related to how loud you operate the TurkeyPro. With the internal speaker playing, expect 6 to 15 hours of run time, depending on the volume level. Remember that very loud volumes are rarely needed as animals hear much better than we do. All FOXPRO rechargeable battery kits are shipped with individual instruction sets that pertain to their unique operations. The following list of cautions and warnings should be observed with any rechargeable system you decide to use.

- **Do not mix battery types!** For example: never use NiMH rechargeable batteries in conjunction with non-rechargeable alkaline batteries.
- **Never connect your TurkeyPro to an unregulated 12V system (i.e., automotive systems, high current power supplies, etc.)** Serious damage will occur which is not covered by the warranty. The charge jack is intended only for FOXPRO® chargers.
- **Never attach an unapproved or a non-FOXPRO® charger to your TurkeyPro!** Damages caused by plugging unapproved charging devices into your TurkeyPro will not be covered by the warranty.
- **Never attempt to charge batteries that are not intended to be recharged!** This includes both Zinc Carbon and alkaline cells. The resulting damage can be serious and will not be covered by

the warranty. For maximum charge efficiency, we recommend charging your TurkeyPro in temperatures ranging from 40°F to 85°F (5°C to 30°C).

- Disconnect any/all accessory devices that may be attached to the TurkeyPro prior to charging. This includes external speakers, auxiliary devices, and USB cables.
- Make sure that the power switch is in the “off” position while charging.
- Make sure that the rechargeable battery pack is installed in the TurkeyPro properly.
- Connect the approved FOXPRO charger to the charger jack on the TurkeyPro and attach the transformer to the appropriate outlet.
- Remember that NiMH batteries self-discharge about 1% per day.
- Do not leave the charging batteries unattended.
- Remove batteries from battery holder when caller will not be used for prolonged periods to help prevent deep discharge.
- Recharge your batteries periodically—even when not in use—to prevent deep discharge.

6. TX433 Transmitter Detailed Information

6-1 Primary Display Area

When powered on, the TX433 briefly displays a startup screen (firmware version) and a message reminding you to extend the telescopic antenna. After selecting “OK” on the antenna reminder, the TX433 will take you to the primary display area. The “Favorites” menu item holds your 10 favorite sounds. Beneath “Favorites” are your various sound categories. The bottom line of the display is a status bar that shows (in order): current volume level, mute status, radio channel, battery level, and elapsed timer. You navigate through the screen with the “Scroll Up” and “Scroll Down” buttons. As you scroll, the black highlight bar moves up and down, respectively. You select a menu item by pushing the “Select” button. To move back to the previous screen after selecting, use the “Menu” button. Note that the “Menu” button

also works as a back button to navigate through the menu system. For example, if you push the “Menu” button a single time from the primary display area, you will view the main menu. If you push the “Menu” button from the main menu, it returns you to the primary display area. As you work through the menu’s options, you will use the “Menu” button to return to the previous screen.

6-2 Main Menu

The main menu provides access to a variety of transmitter configurations. To access the main menu, push the “Menu” button a single time. The available menu options are as follows: “Sound Settings,” “Display/Power,” “Timer/User,” and “Remote Settings.” The following sections cover each of these menu items and their sub-menu items in detail.

6-3 Sound Settings: Volume Step

The TX433 has a range of volumes from 0 – 20. Increasing the volume in the field by increments of 1 may be too slow for some, therefore, this stepping value is configurable. You can choose from 1, 2, and 3.

6-4 Sound Settings: Play Mode

This menu allows you to specify which mode of sound playback the TurkeyPro operates on. The available options are: repeat, single play, and jukebox. The default setting is repeat. In **repeat mode**, the TurkeyPro will play the selected sound repeatedly until you interrupt it. In **single play mode** the sound will play a single time then stop. In **jukebox mode** the sounds play a single time, incrementally. The Play Mode setting is NOT stored between power cycles. You will need to change this setting each time you turn on the TurkeyPro remote.

6-5 Sound Settings: Fav Mute OR

During normal operation, if the TurkeyPro is muted and you request to play a favorite, the sound is queued for playback, but it cannot be heard until the caller is un-muted. Favorite mute override will take care of this and eliminate the need for un-muting the sound upon preset activation. It works by initially checking to see if mute is active and, if it is, un-mute the TurkeyPro prior to initiating playback of the sound. Turning on favorite mute override can be done by accessing Sound Settings, highlighting the "Fav Mute OR" menu item, pushing "Select", then using the "Scroll Up" or "Scroll Down" buttons to toggle between off and on. Push "Select" a final time to lock it in. This setting is remembered between power cycles.

6-6 Display/Power: Backlight

This item allows you to change the intensity of the backlight in a range from 5% - 100%. The lower the intensity, the better your battery life will be.

6-7 Display/Power: Bklt T.O.

This item allows you to set the duration for the backlight timeout. The backlight illuminates per button press. If the backlight is illuminated and you do not push a button within the set period, the backlight will automatically shut off. Available values are 15 seconds, 30 seconds, and 1 minute. Keeping this at a lower value will help promote maximum battery life.

6-8 Display/Power: Contrast

This allows you to adjust the screen contrast. In 'normal' display mode, the higher the value, the darker the text will appear. In 'inverse' display mode, the higher the value, the darker the background will appear.

6-9 Display/Power: LCD Mode

This item allows you to set the desired display mode. Available options include normal and inverse. In normal mode, the text will appear black, and the background will be light. In inverse mode, the background will be black with light text.

6-10 Display/Power: LCD Mode

If you do not push a button on the remote for a set amount of time, the remote will automatically power down to conserve battery life. The available options for this setting include 30 minutes, 45 minutes, 1 hour, 2 hours, and 4 hours.

6-11 Timer/User: Stand Tmr

The elapsed timer (located on the bottom right on the display) allows you to see how long you have been on a stand. The timer starts as soon as you turn on the TurkeyPro transmitter. You can reset the timer by accessing the main menu, selecting timer option, and then selecting the “Stand Timer Reset.” The timer will automatically reset to 00:00 if it is allowed to continue beyond 99:59.

6-12 Timer/User: Alarm

The TurkeyPro remote features a visual alarm that can be set to go off after a span of time. The available times are represented in minutes: 1 – 15 (individual steps) and 20-60 (steps of 5). When the alarm is set and the configured time span passes, the stand timer will display a confirmation message and the timer indicator will begin to flash. To set an alarm, select the “Alarm (minutes)” menu item, push the “Select” button, and then use the “Scroll Up” or “Scroll Down” buttons to find the desired time value. When the desired time value is selected, push the “Select” button to activate the alarm.

6-13 Timer/User: USER 1 & USER 2

User buttons 1 and 2 can be assigned a function of your choice for quick one-button access. You can choose from: favorite 1, favorite 2, favorite 3, AUX, channel, recall, timer reset, and backlight.

6-14 Remote Settings: Download List

Any time you reprogram the TurkeyPro to add new sounds or rearrange existing sounds, you must download a new copy of the play list to the transmitter. This menu item will guide you through that process. To download the playlist, you will need a 3.5mm stereo male-to-male cable. See Section 8-3 for more information.

6-15 Remote Settings: Channel

The TX433 can control multiple TurkeyPro units at once, or independently. For example, you can have 3 individual TurkeyPro units stationed out in the field, each set to a specific radio channel (C1, C2, or C3). Using this menu, you can set what radio channel the TX433 is operating on, relative to the unit you wish to control, or you control all 3 simultaneously. Each TurkeyPro unit features a DIP switch that is used to set specific features. Switches 1 and 2 set the radio channel.

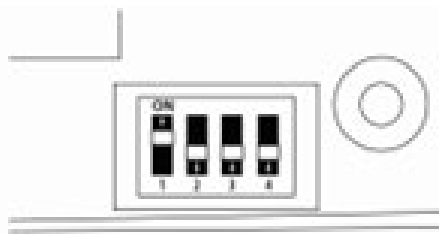


Figure 3 Image of the DIP Switch

The following displays the switch combinations used to establish the channel setting:

<u>Switch 1 Position</u>	<u>Switch 2 Position</u>	<u>Channel Value</u>
OFF	OFF	C1 (factory default)
OFF	ON	C2
ON	OFF	C3

To change the radio channel on the TX433, highlight the Channel menu option and press the “Select” button a single time. Note that the value, to the right of Channel, is now highlighted. You can now use the “Scroll Up” or “Scroll Down” buttons to cycle through the available options. When the correct option is found, push the “Select” button a final time to lock it in. This setting is remembered between power cycles. To control 3 units simultaneously from the TX433, set the channel option to “BC(ALL).”

The user buttons can be configured to toggle the radio channel. This provides you with a quick method of switching between units without having to navigate through the menu system to find the channel setting. Please refer to section 6-13 of this manual to learn about setting up the two user buttons.

6-16 Remote Settings: AUX Cntrl

The auxiliary jack operation specifications can be changed from either momentary or latched. All FOXPRO decoys require that the jack be setup for momentary.

6-17 Remote Settings: View

The TX433 can display your sounds either by general listing or by category listing. Sound categories are the best route to go if you have many sounds. The TX433 supports up to 25 unique categories.

6-18 Remote Settings: Snd Num

The TX433 displays your sound list in a logical format based upon the index value of each sound file. The sounds are numbered from 000 – 299. You can choose to either have the index values visible in your sound list or you can hide them. The advantage of hiding the numbers is that the sound names might be easier to read. The options for this setting are “Show” and “Hide.”

6-19 Remote Settings: About Info

The About Info screen displays a variety of information pertaining to version number, number of sounds loaded, number of favorites, and transmitter health.

6-19 Remote Settings: Cable Detect

If cable detect is turned on, the transmitter will automatically prompt you to perform the download list function when a 3.5mm stereo cable is connected to the sound upload jack. You can manually initiate the download list process, if you prefer, by disabling this feature.

7. Field Deployment Options

The TurkeyPro features numerous options for deployment in the field. First is by using a tripod. The TurkeyPro features an “L” shaped bracket with a standard ¼”-20 female receptacle that supports most tripods. The bracket is secured to the back of the TurkeyPro with 2 Phillips screws. We recommend using a tripod with a wide leg span to help prevent it from accidentally tipping over. The following image shows the TurkeyPro mounted to the optional tripod bracket accessory (sold separately). Note: Tripod Not Included.

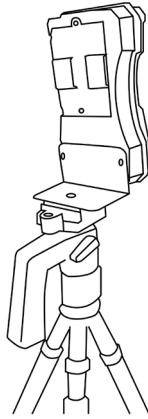


Figure 4 TurkeyPro Mounted on a Tripod

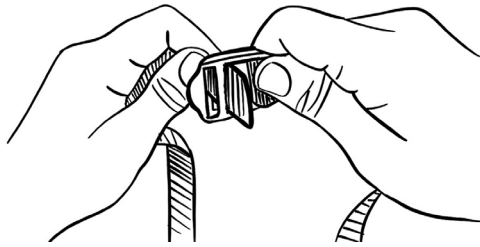


Figure 5 Position 1 for Using the Strap

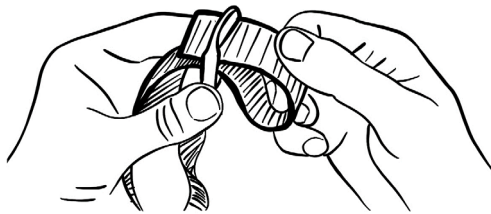


Figure 6 Position 2 for Using the Strap

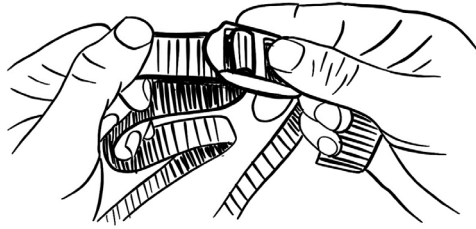


Figure 7 Position 3 for Using the Strap

Another option is using the included strap to secure the TurkeyPro to a tree. The TurkeyPro comes with a strap that measures 60" by 1". This will provide most hunters with enough length to get around most trees, but if you find yourself a bit short, you can always use your own longer strap, if needed. The strap feeds through the two strap slots on the back of the TurkeyPro unit. After you have the strap fed through the strap slots, secure the TurkeyPro to a tree. The series of images (Figure 5-8) provide an overview of securing the Turkey Pro to a tree.



Figure 8 Turkey Pro Strapped to Tree

Finally, while not ideal, you can sit the TurkeyPro on the ground. However, we recommend placing it on a fence post, or other object if the previous options do not work for you. We strongly recommend

trying to elevate the TurkeyPro off the ground by about 3 feet to help get the best possible radio performance.

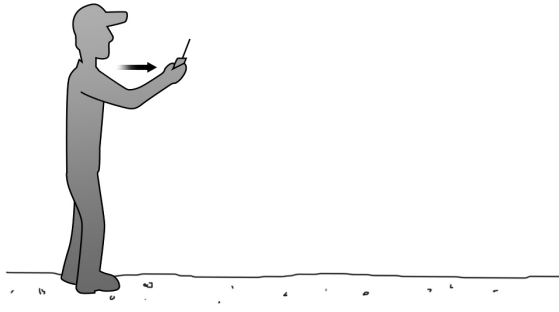
8. Programming the TurkeyPro

The TurkeyPro can store up to 300 sounds in total. From the factory, it's loaded with 45 premium sounds. FOXPRO offers free software for both PC and Mac that assists you in this process. The FOXPRO website contains an extensive library of free sounds and sounds that can be purchased and installed in the TurkeyPro. The website also contains extensive information on how to use the programming software. We strongly recommend that you view the online resources to become familiar with the programming process including watching the walkthrough video.

9. Maximizing Remote Range

Remote range can be affected by many factors. Some of these factors can be controlled while others cannot. To achieve the best possible remote range with your TurkeyPro digital game call system, it is recommended that the following points be observed:

- Make sure that the telescopic antenna on the TX433 is fully extended.
- Always use a high-quality alkaline or lithium battery in the remote.
- Always maintain a clear line of sight between the remote control and the TurkeyPro. Any obstructions—no matter how significant or insignificant—can adversely affect the radio signal.
- Try to keep the remote control approximately six inches away from your body, gun barrel, and metal shooting sticks as these things can detune the remote control.
- Hold the remote control vertically with the antenna pointing skyward (see image below):



- Avoid using the device remotely when you are near power lines, cellular phone towers, and radar (such as near airports or military installations).
- Try to elevate the caller off the ground by approximately three feet. This can greatly maximize your overall remote-control range.

10. Product Care & Maintenance

Avoid exposure to all precipitation and moisture. Moisture can potentially enter the unit or the battery compartment and cause serious problems. Proper care should be taken to mitigate the introduction of moisture into the machine and make sure that no moisture is present during storage. Moisture can quickly lead to corrosion, electrical shorts, and even rust—all of which can render the unit damaged and out of warranty. This type of damage is preventable! If you are operating in rainy, wet conditions, it is recommended that you place the unit inside of a large plastic storage bag or use a water/weatherproof deployment bag to keep water from getting to it. When storing the unit for prolonged periods, be sure that you keep it in a dry location. **Remove batteries prior to storage or extended periods of inactivity!** All batteries, whether alkaline or rechargeable, should be removed from the game calls, decoys, and transmitters prior to storage or periods of inactivity. Batteries left inside of electronic devices can leak over time. Damages caused by this can be severe and potentially destroy the electrical components. To prevent this from happening,

simply remove all batteries from all devices before you put them away. Keep in mind: damage caused by battery leakage is not covered under warranty.

11. Troubleshooting

The most common problems are battery related. Before doing anything else, try installing fresh batteries.

Problem: TurkeyPro will not turn on. **Solution:** Make sure you have fresh batteries installed. If using rechargeable batteries, make sure they are fully charged. Inspect the battery tray for signs of corrosion.

Problem: TurkeyPro does not produce any sound. **Solution:** Check that you have the speaker selector switch set to the correct position. The internal speaker cannot be operated at the same time as an external speaker. Please refer to Section 4 of the manual to confirm your settings.

Problem: Cannot transfer sound list to TurkeyPro transmitter. **Solution:** If the unit still plays sounds, try replacing the patch cable. If the list transfers, but appears to be incomplete, check for errors stemming from a recent reprogramming session. Look for duplicate sound numbers or missing sounds within your playlist.

Problem: TX433 does not turn on. **Solution:** Install a fresh battery and try again.

Problem: Poor battery life in extreme cold weather conditions.

Solution: Cold weather operations can take a serious toll on alkaline batteries. It is strongly recommended that you use lithium or

rechargeable NiMH batteries to get the best performance in cold weather.

Problem: TurkeyPro not being recognized by computer. **Solution:** Make sure that the TurkeyPro is turned OFF while connected to the computer. Make sure that the memory card is properly situated in the socket.

Problem: Pilot light / LED is blinking. **Solution:** This is the low battery indicator. Replace your batteries.

Problem: Pilot LED blinks rapidly after powering up and no sound is produced. **Solution:** The internal memory has failed. Please contact technical support for more assistance.

12. FCC & IC Information

RF Exposure Safety Notice

The TurkeyPro transmitter is not intended to be operated closer than 20cm (about 8 inches) to your body. The transmitter can produce a radiated RF field similar to that of a standard cell telephone, although the duty cycle of this RF field is much lower than that of a cell telephone. Using the transmitter closer than 8 inches to your body can increase your exposure to RF energy levels thought by some to be harmful. Additionally, operation in close proximity to your body can detune the antenna causing a decrease in operating performance.

The antenna(s) used for this transmitter must be installed to provide a separation distance of at least 20 cm from all persons and must not be co-located or operating in conjunction with any other antenna or transmitter. End-users and installers must be provided with antenna installation instructions and transmitter operating conditions for satisfying RF exposure compliance.

FCC Information

NOTE: This equipment has been tested and found to comply with the limits for a Class B digital device, pursuant to Part 15 of the FCC Rules. These limits are designed to provide reasonable protection against harmful interference in a residential installation. This equipment generates, uses, and can radiate radio frequency energy and, if not installed and used in accordance with the instructions, may cause harmful interference to radio communications. However, there is no guarantee that the interference will not occur in a particular installation. If this equipment does cause harmful interference to radio or television reception, which can be determined by turning the equipment off and on, the user is encouraged to correct the interference by one or more of the following measures:

- Reorient or relocate the receiving antenna.
- Increase the separation between the equipment and receiver.
- Connect the equipment into an outlet or circuit different that to which the receiver is connected.
- Consult the dealer or an experienced radio/TV technician for help.

Operation is subject to the following two conditions: (1) this device may not cause harmful interference, and (2) this device must accept any interference received, including interference that may cause undesired operation of this device. Modifications not expressly approved by the manufacturer could void the user's authority to operate the equipment under FCC rules.

Industry Canada Notice

This device complies with Industry Canada licence-exempt RSS standard(s). Operation is subject to the following two conditions: (1) this device may not cause interference, and (2) this device must accept any interference, including interference that may cause undesirable operation of the device.

Le présent appareil est conforme aux CNR d'Industrie Canada applicable aux appareils radio exempts de licence. L'exploitation est autorisée aux

deux conditions suivantes : (1) l'appareil ne doit pas produire de brouillage, et (2) l'utilisateur de l'appareil doit accepter tout brouillage radioélectrique subi, même si le brouillage est susceptible d'en compromettre le fonctionnement.

Note: Units exported beyond the boundaries of North America are not FCC certified. FOXPRO Inc. makes every attempt at complying with regional regulations governing radio spectrum. However, it is the user's responsibility to ensure compliance with local laws and ordinances that govern the use of radio controlled devices in the area of operation.

13. Warranty Statement

Your FOXPRO® game call is warranted to be free from defects in materials and workmanship for a period of 3 years from the date of purchase if the item was purchased from a FOXPRO Authorized Retailer. You can register your TurkeyPro digital game call online at the following address: <http://www.gofoxpro.com/warranty>